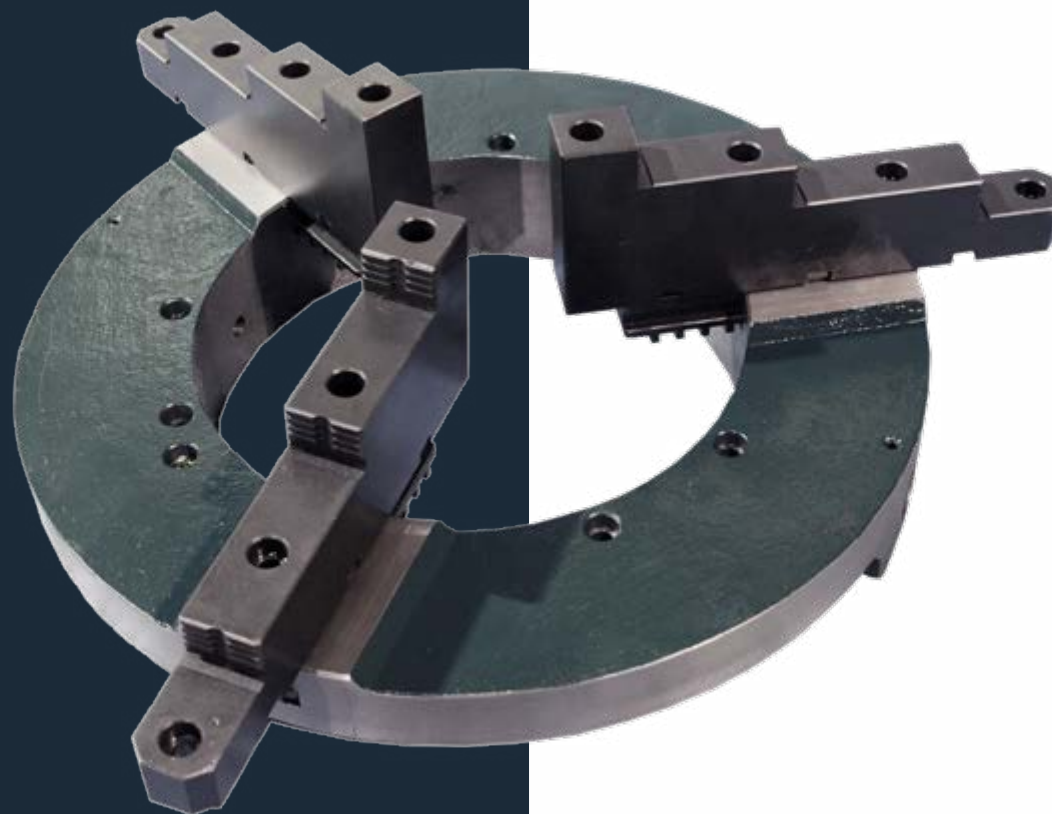


CHUCKS

Welding chuck - 3- and 4-jaw chuck self-centring

D-WPS



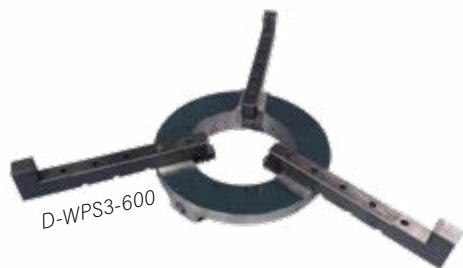
D-WPS3-600



CHUCKS

Welding chuck - 3- and 4-jaw chuck self-centring

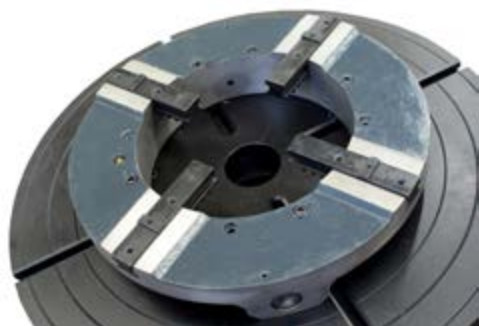
D-WPS



D-WPS3-600



D-WPS3-600



D-WPS4-600



D-WPS4-600

FEATURES

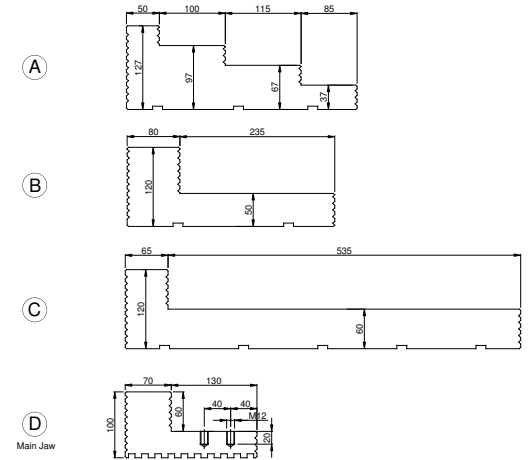
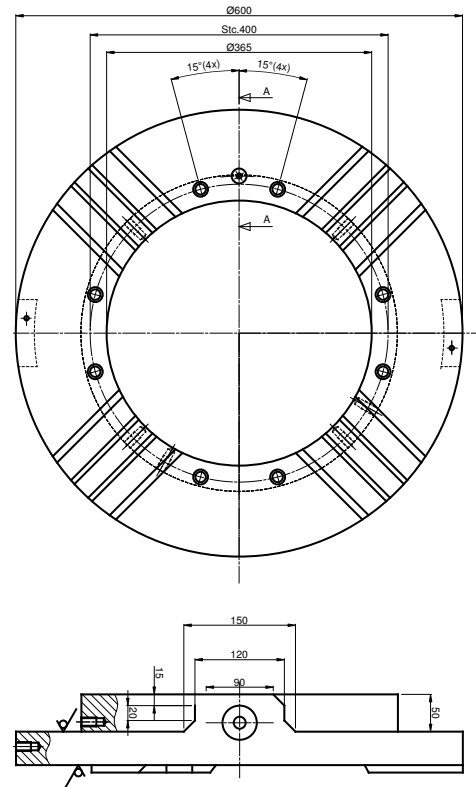
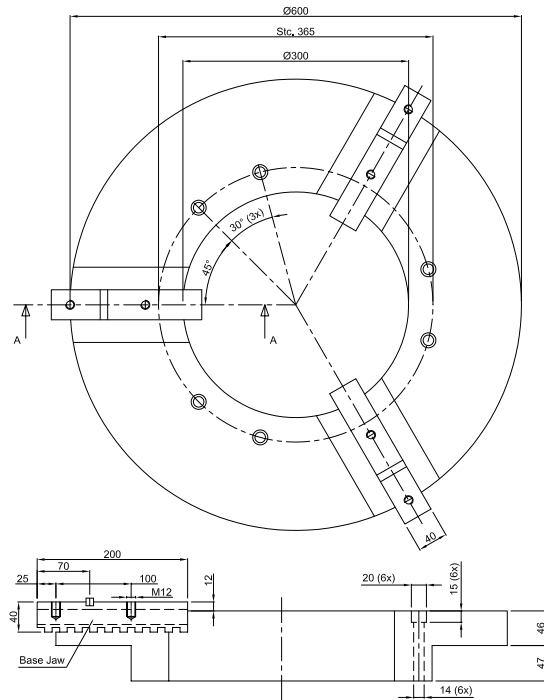
- For clamping round and square workpieces
- Clamping range $\varnothing 80 - \varnothing 1500$
- Self-centring
- Large bore
- Lightweight and therefore also suitable for smaller positioners
- High clamping force: 50 KN
- 4 sets of jaws included



CHUCKS

Welding chuck - 3- and 4-jaw chuck self-centring

D-WPS



Jaw measurements D-WPS3-600 / D-WPS4-600