

**ROT PRO®**

Coil turning system 90° / 180°

**UMETA®**  
fast. safe. easy.



ROTPRO-90-5



# ROT PRO® 90

Coil turning system

**Safe and easy 90° turning of coils, pallets, plates and work pieces.**



## TURNING

90°

## CAPACITY

1t up to 65t  
Taylor-made to your special requirements.

## TURNING TIME

Depending on model (approx. 20 sec. )

## CONTROL

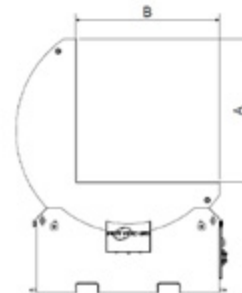
- Remote control
- Control pendant
- Fixed panel

## OPTIONS

- Varying models and dimensions on request
- Protections to avoid damaging the load
- Hoist points for locking the load
- Welding current connector

## Technical specifications

Model	Capacities (t)	Dimensions (mm)		
		A	B	C
ROTPRO 90-3	3	1100	1100	1020
ROTPRO 90-5	5	1100	1100	1020
ROTPRO 90-10	10	1500	1500	1250
ROTPRO 90-15	15	1500	1500	1500
ROTPRO 90-20	20	1800	1800	1500



All information is subject to printing-, typing errors and modifications.



# ROT PRO® 180

Coil turning system

**Safe and easy 180° turning of coils, pallets, plates and work pieces.**



## TURNING

180°

## CAPACITY

1t up to 65t

Taylor-made to your special requirements.

## TURNING TIME

Depending on model (approx. 60 sec.)

## CONTROL

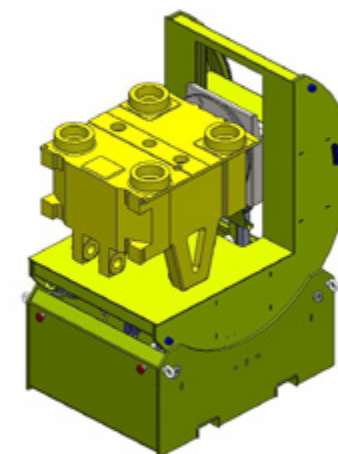
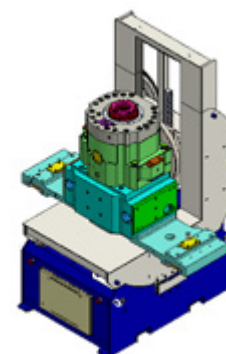
- Remote control
- Control pendant
- Fixed panel

## OPTIONS

- Varying models and dimensions on request
- Protections to avoid damaging the load
- Hoist points for locking the load
- Welding current connector

## Technical specifications

Model	Capacities (t)	Dimensions (mm)			
		A	B	C	L
ROTPRO 180-3	3	1100	1100	1020	700 (±350)
ROTPRO 180-5	5	1100	1100	1020	700 (±350)
ROTPRO 180-10	10	1500	1500	1250	1000 (±500)
ROTPRO 180-15	15	1500	1500	1500	1000 (±500)
ROTPRO 180-20	20	1800	1800	1500	1200 (±600)



All information is subject to printing-, typing errors and modifications.



# ROT PRO® 180

Coil turning system

