

GIROMATIC[®]
Rotating system

UMETA[®]
fast. safe. easy.

D-GPMM-4-100



GIROMATIC®

Rotating system

For fast, safe and easy rotation of heavy, bulky workpieces of any shape and size in less than one minute (from 0° till 360°).

Custom-made products according to customer specifications are also possible.



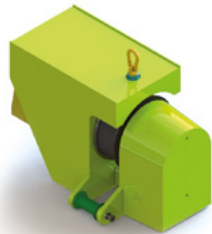
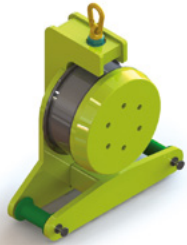
D-GMP 70t

OPTIONAL

- Slings or chains (various styles)
- Fast sling connector
- Remote control
- Rack for storing
- Corner protection (magnetic)

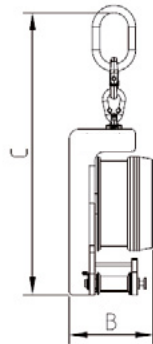


D-GPMP

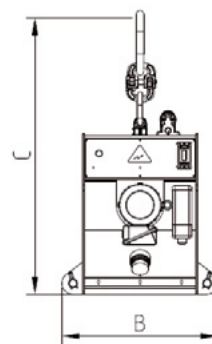
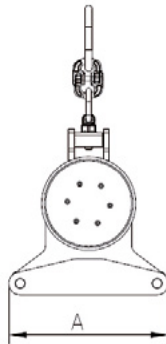


Model	Capacity (kg)	Dimensions (mm)			Weight (kg)	Traction
		A	B	C		
D-GPMP-ST-2	2.000	360	254	715	55	no
D-GPMP-ST-4	4.000	560	275	945	165	no
D-GPMP-ST-6	6.000	560	275	965	185	no
D-GPMP-CT-2	2.000	685	360	715	200	yes
D-GPMP-CT-4	4.000	865	560	945	350	yes
D-GPMP-CT-6	6.000	1000	560	965	470	yes

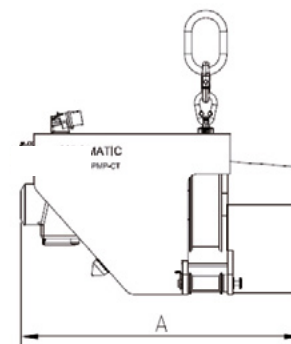
All information is subject to printing-, typing errors and modifications.



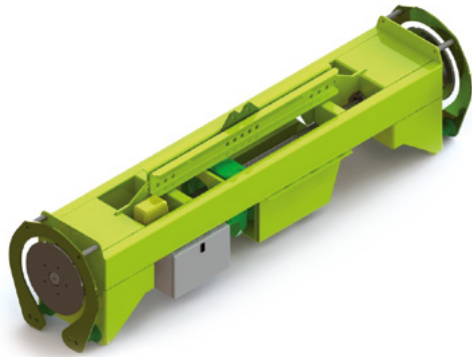
D-GPMP-ST



D-GPMP-CT

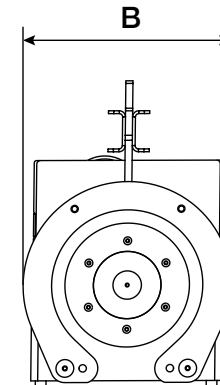
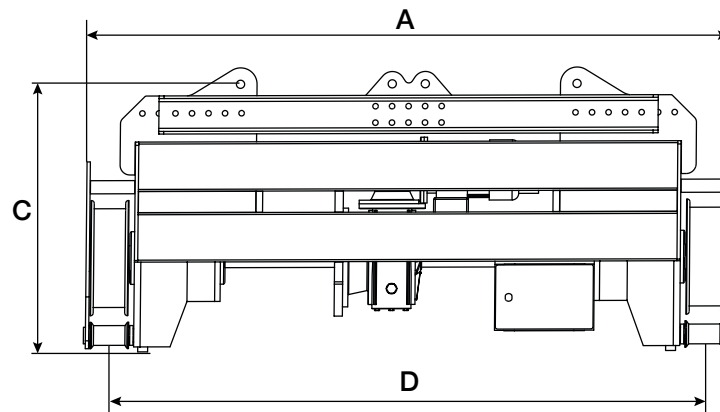


D-GPMM

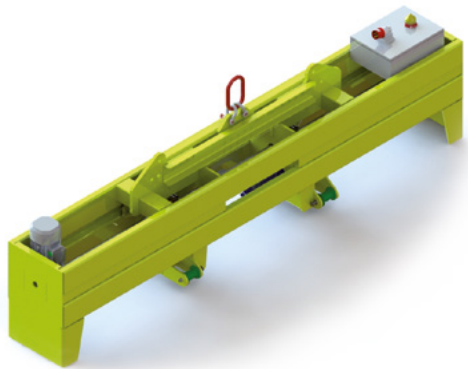


Model	Capacity (kg)	Dimensions (mm)				Weight (kg)	Distance between pulleys/slings
		A	B	C	D		
D-GPMM-4-100	4.000	1110	450	800	1000	280	Fixed
D-GPMM-4-150	4.000	1610	450	800	1500	310	
D-GPMM-4-200	4.000	2110	450	800	2000	340	
D-GPMM-6-100	6.000	1110	450	800	1000	420	
D-GPMM-6-150	6.000	1610	450	800	1500	440	
D-GPMM-6-200	6.000	2110	450	800	2000	475	
D-GPMM-8-100	8.000	1110	520	850	1000	500	
D-GPMM-8-150	8.000	1610	520	850	1500	550	
D-GPMM-8-200	8.000	2110	520	850	2000	590	
D-GPMM-10-100	10.000	1140	520	850	1000	590	
D-GPMM-10-150	10.000	1640	520	850	1500	610	
D-GPMM-10-200	10.000	2140	520	850	2000	650	

All information is subject to printing-, typing errors and modifications.

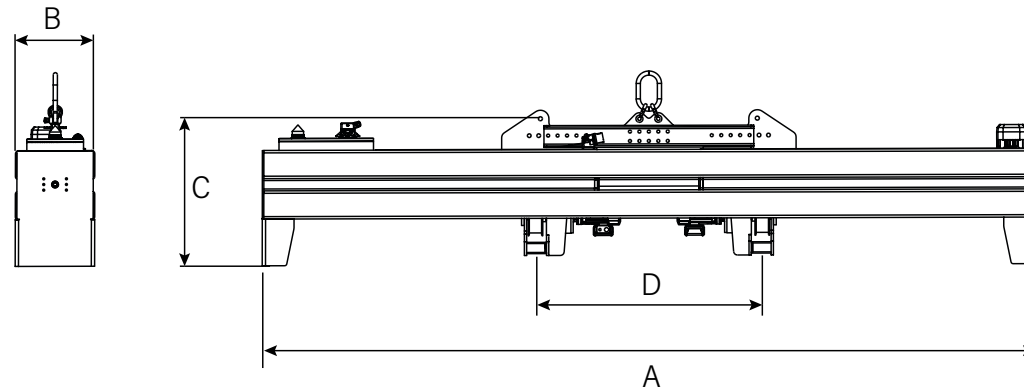


D-GPMM-R

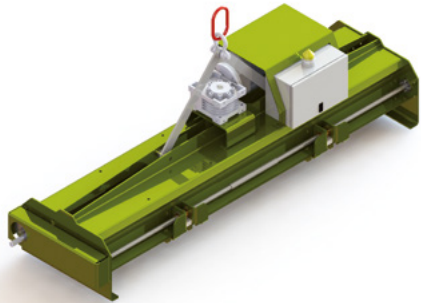


Model	Capacity (kg)	Dimensions (mm)				Weight (kg)	Distance between pulleys/slings
		A	B	C	D		
D-GPMM-R-2-150/300	2.000	3400	450	800	1500-3000	600	Motorized regulation (fast system)
D-GPMM-R-4-150/300	4.000	3400	450	800	1500-3000	620	
D-GPMM-R-6-150/300	6.000	3400	450	850	1500-3000	660	

All information is subject to printing-, typing errors and modifications.

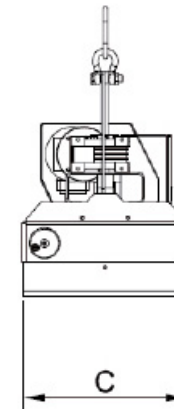
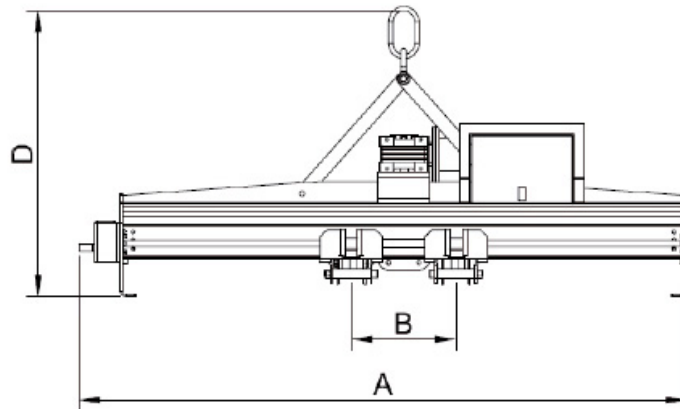


D-GPMM-LCR

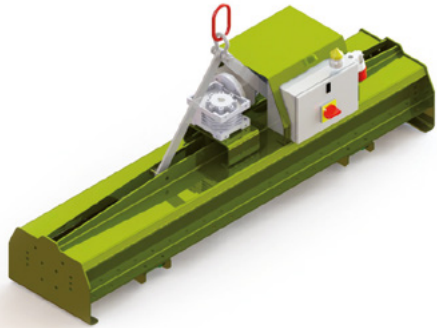


Model	Capacity (kg)	Dimensions (mm)				Weight (kg)	Distance between pulleys/slings
		A	B	C	D		
D-GPMM-LCR-1-45/100	1.000	1300	450-1000	485	820	160	Manual regulation (handwheel)
D-GPMM-LCR-2-45/100	2.000	1300	450-1000	485	820	170	
D-GPMM-LCR-1-45/150	1.000	1800	450-1500	485	820	180	
D-GPMM-LCR-2-45/150	2.000	1800	450-1500	485	820	210	
D-GPMM-LCR-1-45/200	1.000	2300	450-2000	485	820	250	
D-GPMM-LCR-2-45/200	2.000	2300	450-2000	485	820	260	

All information is subject to printing-, typing errors and modifications.

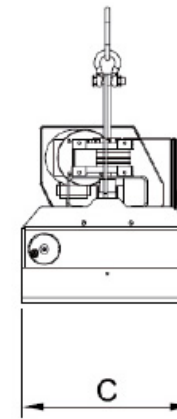
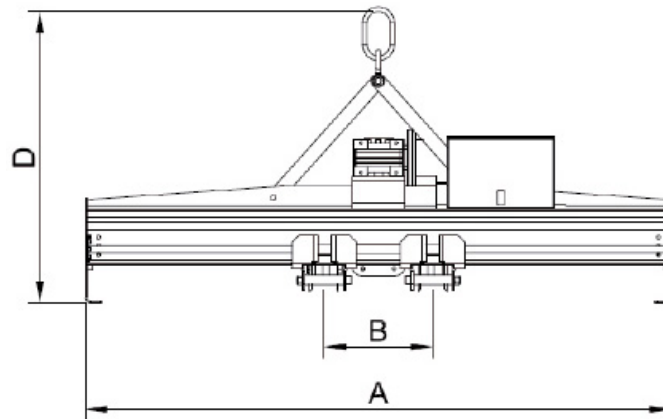


D-GPMM-LC

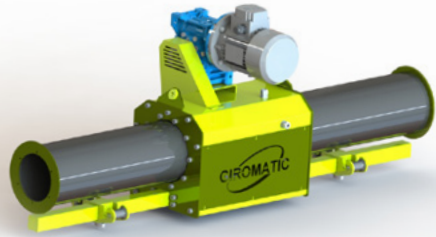


Model	Capacity (kg)	Dimensions (mm)				Weight (kg)	Distance between pulleys/slings
		A	B	C	D		
D-GPMM-LC-1-40/100	1.000	1250	400-1000	410	820	140	Manual regulation (hex key)
D-GPMM-LC-2-40/100	2.000	1250	400-1000	410	820	150	
D-GPMM-LC-1-40/150	1.000	1750	400-1500	410	820	150	
D-GPMM-LC-2-40/150	2.000	1750	400-1500	410	820	160	
D-GPMM-LC-1-40/200	1.000	2250	400-2000	410	820	190	
D-GPMM-LC-2-40/200	2.000	2250	400-2000	410	820	200	

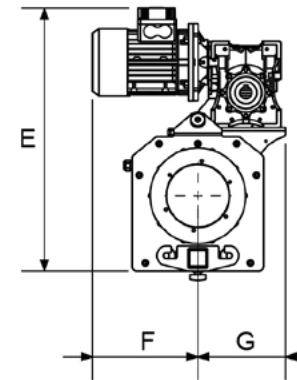
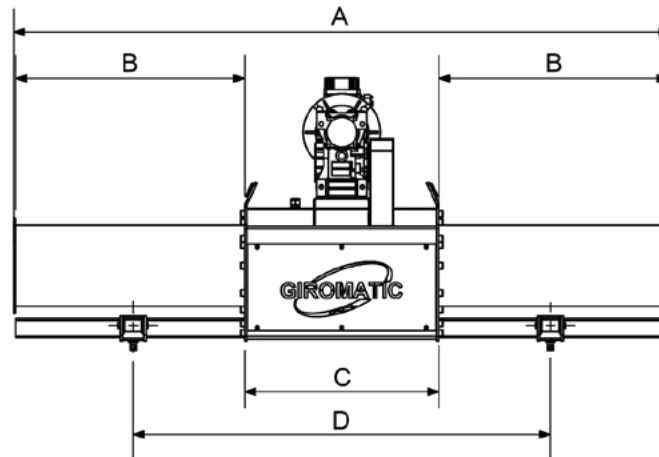
All information is subject to printing-, typing errors and modifications.



D-GPMM-VLC



Model	Capacity (kg)	Dimensions (mm)							Weight (kg)	Power supply	Distance between pulleys/slings
		A	B	C	D	E	F	G			
D-GPMM-VLC-0.5-50/125	500	1358	474	402	500-1250	545	218	182	68	220 V / 50 Hz	Manual regulation (fast)
D-GPMM-VLC-1-50/125	1.000	1358	474	402	500-1250	545	218	182	70		
D-GPMM-VLCB-1-50/125-LI	1.000	1370	474	402	500-1250	520	263	297	120	battery	
D-GPMM-VLC-2-50/160	2.000	1815	715	355	500-1600	920	230	400	180	400 V / 50 Hz	
D-GPMM-VLC-4-50/160	4.000	1815	715	355	500-1600	940	230	400	200	400 V / 50 Hz	



The 1.000kg model is now also available as battery-operated version!



GIROMATIC®

Rotating system

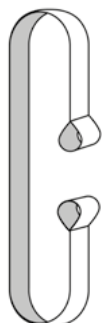
SLINGS AND CONNECTOR

The GIROMATIC® rotating system can be supplied with slings which are available in different sizes and versions such as closed or open with connectors. Additionally, we can supply the GIROMATIC® with chains instead of slings.

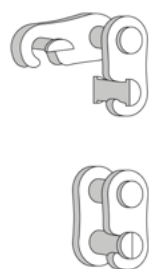
Ask for the possibilities.



Closed



Open



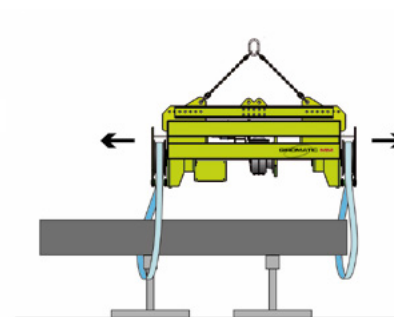
Connector



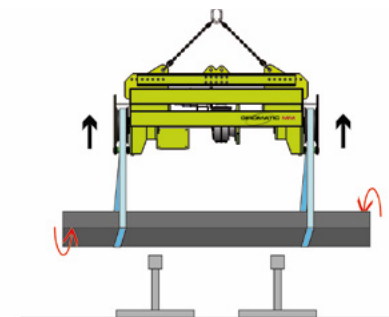
Lifting strap hook (Joker hook)

Can be attached to a webbing sling to create a fixed hook-on point. As a result, the loops of the webbing sling will wear less quickly. Available in various sizes.

Closed

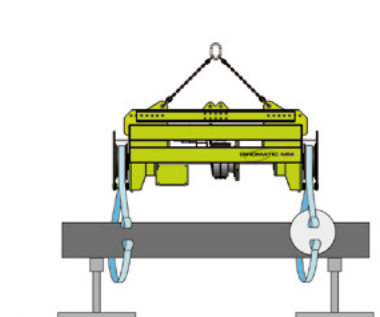


Introduce slings on both sides.

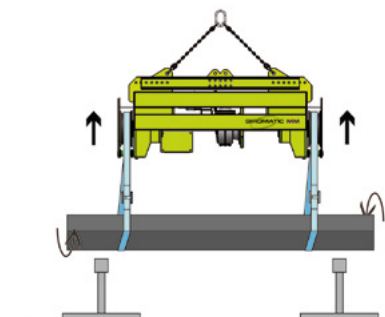


Lift and rotate.

Open



Pass the sling around the load and join the ends with the fast sling connector.



Lift and rotate.

